



CHAMPION TUFF GRILLS DEALER CATALOG



WWW.CHAMPIONTUFFGRILLS.COM // PO BOX 150631, FORT WORTH, TX 76108

(254) 728-3101 // CHAMPION TUFF GRILL BY SMOKEY MOUNTAIN GRILL LLC

CHAMPION GRILLS

PRECISION TEMPERATURE CONTROL & EVEN HEAT DISTRIBUTION

Champion Grills offer the best TEXAS-style wood-burning grilling available on the market today. Our indoor wood-burning Champion Grills control temperatures and evenly distribute heat resulting in lower fuel costs and consistent, optimally-prepared foods. The grills are constructed of double-walled stainless steel with firebrick that radiates heat back into the grill area, allowing you to cook at temperatures up to 1800°F while keeping the heat in the grill and not in the kitchen. Our multilayered insulation directs heat into the food, cooking it quickly

and with much greater control. Your kitchen will realize reduced fuel costs and your guests will enjoy a moist, flavorful entrée.

The unique construction of our grills' thick cast iron grates sears food quickly and directs the flow of excess juices. You can easily remove doors, ash boxes, and grate sections for easy cleaning. Never before has cooking and upkeep been so easy than with the durable stainless steel design of our efficient wood-burning grills.

PROUDLY MADE IN THE USA 

- z 14GA stainless-steel exterior body and 7GA stainless-steel interior construction
- z Drop-down front-loading fuel door
- z Stainless-steel ash drawers with handles
- z Superior firebrick heat retention
- z 1800°F Insulation
- z TEXAS-style grilling indoors
- z 5" heavy-duty swivel / locking caster
- z 22lb. 1.5" cast iron fire grates and 18lb. 1" cast iron grill grates
- z 3 Year warranty on grill construction



- SS Overshelf

PROUDLY MADE IN THE USA 

CHAMPION GRILL SPEC SHEET

64" CHAMPION GRILL (CG64)

DIMENSIONS (WXDXH IN.)	64 x 30 x 40
COOK SURFACE (HEIGHT IN.)	36
COOKING SURFACE (IN ²)	1440
TOP GRATES (6" X 24")	10
BOTTOM GRATES (6" X 19")	9
WEIGHT (LBS)	1193
ASH DRAWERS	4
FIRE BRICKS	16
HOOD CFM	2765
OUTER BODY CONSTRUCTION	14-gauge Stainless Steel
INNER WALL CONSTRUCTION	7-gauge Stainless Steel
INNER INSULATION	Fiber Frax Ceramic Fiber Rated at 2400°F



- z Heavy Duty Cooking Grids:** Virtually indestructible, long lasting, holds smoke flavor perfectly around the food, concentrates heat exactly where it's needed
- z Sauce Pan Shelf:** Have your sauces, butters and flavors at your fingertips



□ SS Overshelf

PRODUCT IMAGES

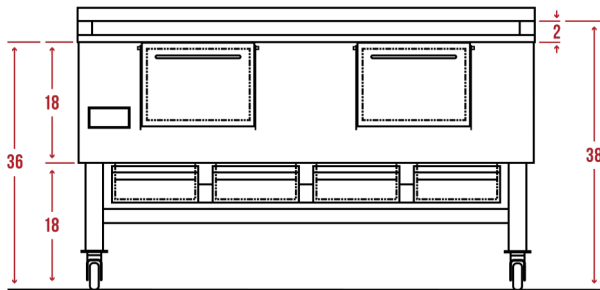


□ *Champion Grill 64*

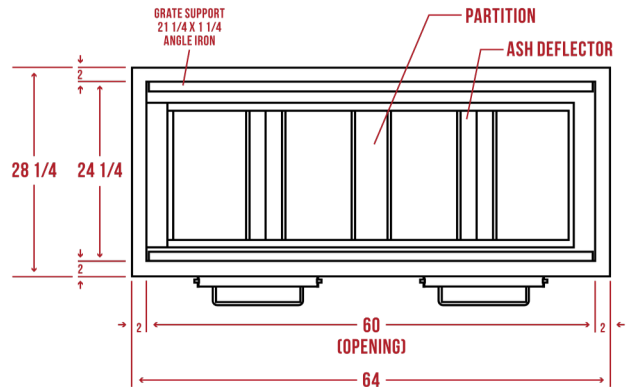
64" CHAMPION GRILL



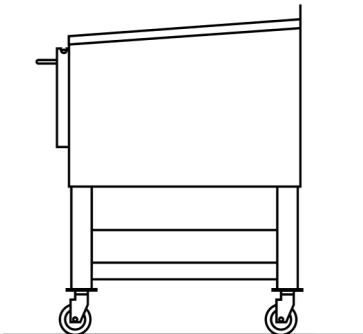
- z Product Weight: 1110lbs
- z F.o.b. Nashville, Tn
- z Stainless Steel Front Plateshelf
- z Saucepan Shelf



FRONT ELEVATION



PLAN VIEW



END VIEW

TUFF GRILLS

DURABLE, ENERGY-EFFICIENT POWERHOUSE GRILLS

Nothing tastes better than the flavor of a wood fired grill on steaks, seafood, chicken, pork, or any exotic meat. Tuff Grills are your best high-heat, wood-fired grill option available. With a maximum cook temperature of 1100°, Tuff Grills can add a lot of heat to the kitchen. The patented Cool Jacket technology keeps the heat where you want it providing an amazingly comfortable workplace for your chefs. Additionally, you don't need a boy scout

to keep the fire burning with the built-in gas lighter. The uniquely durable design is energy efficient and the construction delivers long-term performance and low maintenance costs. Virtually indestructible cast iron grill grates round out the structural integrity of every Tuff Grill. Available in a variety of sizes, there's a Tuff Grill that will fit your commercial kitchen like a glove.

PROUDLY MADE IN THE USA 

- Z Cool Jacket Technology:** Cool to the touch on the outside, no fire bricks to replace, low maintenance costs
- Z Heavy Duty Cooking Grids:** Virtually indestructible, long lasting, holds smoke flavor perfectly around the food, concentrates heat exactly where it's needed
- Z Gas Log Lighter:** Fast and easy lighting, no boy scouts required to keep the fire going
- Z Sauce Pan Shelf:** Have your sauces, butters and flavors at your fingertips



□ Tuff Grill TG 48

PROUDLY MADE IN THE USA 

TUFF GRILL SPECS

TUFF GRILL SPECS	TG 36	TG 48	TG 60	TG 72
DIMENSIONS (W X D X H IN.)	36 x 33.5 x 36.5	48 x 33.5 x 36.5	60 x 33.5 x 36.5	72 x 33.5 x 36.5
TOP GRATES (6" X 24")	5	7	9	11
BOTTOM GRATES	4	6	8	10
WEIGHT (LBS)	602	806	958	1154
BUILT-IN LOG LIGHTER BTU	15,000	25,000	25,000	30,000
OUTER BODY CONSTRUCTION	14-Gauge Stainless Steel			
INNER WALL CONSTRUCTION	10-Gauge Stainless Steel			
GAS FITTING REQUIREMENTS	1/2 inch			



PRODUCT IMAGES



□ *Tuff Grill TG 36*



□ *Tuff Grill TG 48*



□ *Tuff Grill TG 60*



□ *Tuff Grill TG 72*

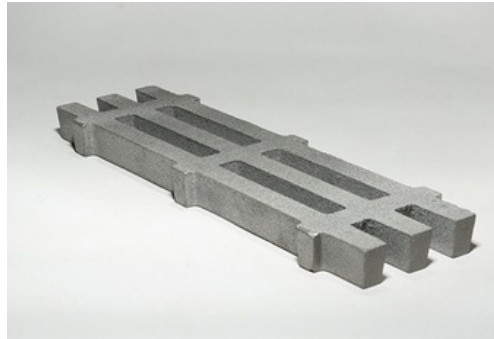
PARTS & ACCESSORIES FOR WOOD FIRED GRILLS

TOP GRATE



Top grill grate, TG624 6" x 24"

BOTTOM GRATE



Cast iron bottom fuel grate,
FG 6" x 19"

HOT TOP PLATE



Plancha Plate, PP 1224
12" x 24"

FIRE BRICKS



Fire bricks, fire box grills
ONLY FB 612 6" x 12"

SS HOLDING SHELF



SS Overshelf insert 12 / 24"

DOUBLE OVERSHELF SS SHELF



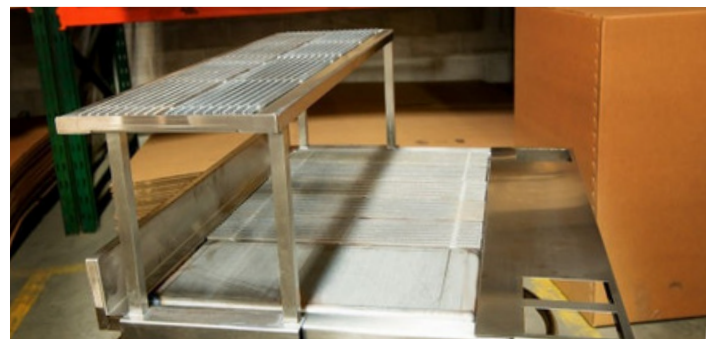
SS Double Overshelf with Cast
Iron Grill Grates, 34-72"

FRONT PLATE SHELF



SS Front plate shelf with black pan inserts

SINGLE OVERSHELF SS SHELF



SS Overshelf with Cast Iron Grill Grates, 34-72"