



# EQUIPMENT STAND ON CASTERS

## MODELS

- ES 31 - 31" Equipment Stand on Casters
- ES 37 - 37" Equipment Stand on Casters
- ES 49 - 49" Equipment Stand on Casters
- ES 61 - 61" Equipment Stand on Casters
- ES 66 - 66" Equipment Stand on Casters
- ES 73 - 73" Equipment Stand on Casters



Stainless steel worktables constructed of 304 grade, 16-gauge stainless steel tops, with stainless legs, stainless crossrails, and swivel casters.

Available for all Tuff Charbroiler models.

▲ ES 37 - 37" Equipment Stand on Casters

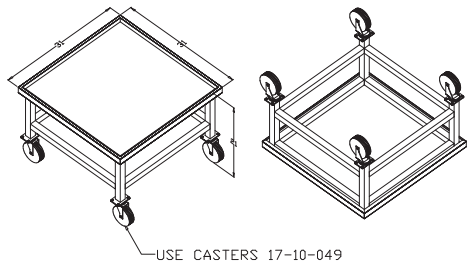


PROUDLY MADE IN THE USA 

## SPECIFICATIONS

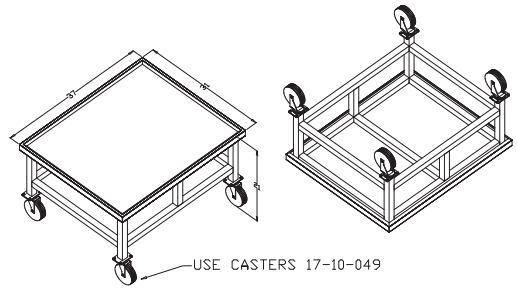
	ES 31	ES 37	ES 49	ES 61	ES 66	ES 73
LENGTH (IN.)	31	37	49	61	66	73
WIDTH (IN.)	31	31	31	31	31	31
HEIGHT (IN.)	21	21	21	21	21	21
NUMBER OF LEGS	4	4	4	4	6	4

# MODELS



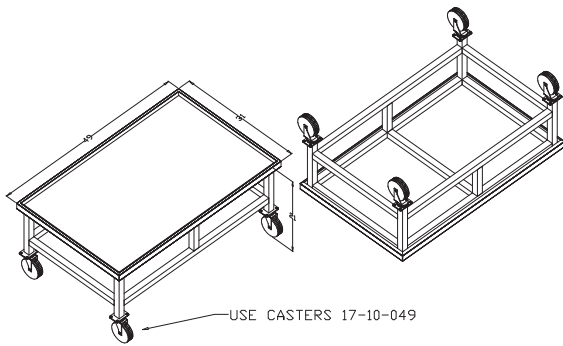
USE CASTERS 17-10-049

31" x 31" x 21"



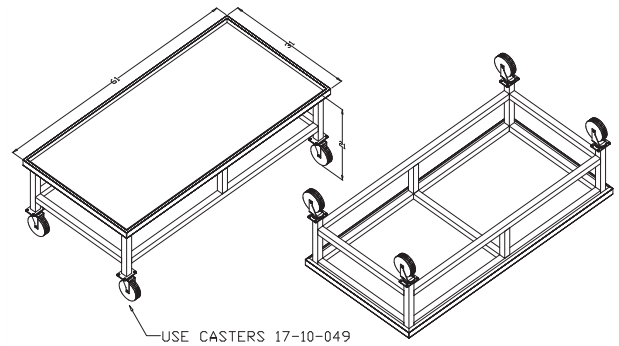
USE CASTERS 17-10-049

37" x 31" x 21"



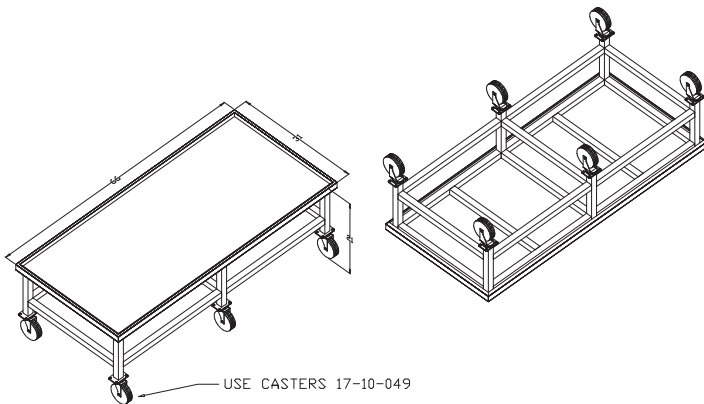
USE CASTERS 17-10-049

49" x 31" x 21"



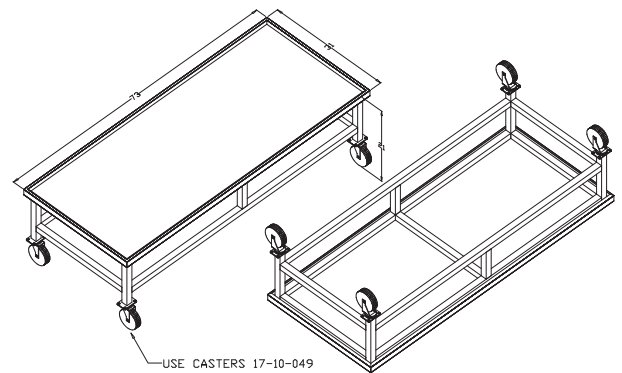
USE CASTERS 17-10-049

61" x 31" x 21"



USE CASTERS 17-10-049

66" x 31" x 21"



USE CASTERS 17-10-049

73" x 31" x 21"

